

TEXTRO PUMP CONTROLLER

WITH BUILT IN MPPT

TECHNICAL SPECIFICATIONS :

200V / THREE PHASE CLASS :

MOTOR RATING	V _{oc}	V _{mp}	I _{sc}	INPUT Voltage range	OUTPUT Voltage	FREQUENCY
1HP	350VDC	290VDC	4.0A	200-380VDC	0-200VAC	UPTO 60HZ
2HP	350VDC	290VDC	8.0A	200-380VDC	0-200VAC	UPTO 60HZ
3HP	350VDC	290VDC	12.0A	200-380VDC	0-200VAC	UPTO 60HZ
5HP	350VDC	290VDC	16.0A	200-380VDC	0-200VAC	UPTO 60HZ

MOTOR CURRENT RATING : AS PER MOTOR CAPABILITY
DEPENDS UPON HP RATING.

400V / THREE PHASE CLASS :

MOTOR RATING	V _{oc}	V _{mp}	I _{sc}	INPUT Voltage range	OUTPUT Voltage	FREQUENCY
1HP	680VDC	570VDC	2.0A	400 - 760VDC	0 - 400VAC	UPTO 60HZ

2HP	680VDC	570VDC	4.0A	400 - 760VDC	0 - 400VAC	UPTO 60HZ
3HP	680VDC	570VDC	6.0A	400 - 760VDCD	0 - 400VAC	UPTO 60HZ
5HP	680VDC	570VDC	10.0A	400 - 760VDC	0 - 400VAC	UPTO 60HZ
7.5HP	680VDC	570VDC	15.0A	400 - 760VDC	0 - 400VAC	UPTO 60HZ
10HP	680VDC	570VDC	20.0A	400 - 760VDC	0 - 400VAC	UPTO 60HZ

MOTOR CURRENT RATING : AS PER MOTOR CAPABILITY
DEPENDSE UPON HP RATING.

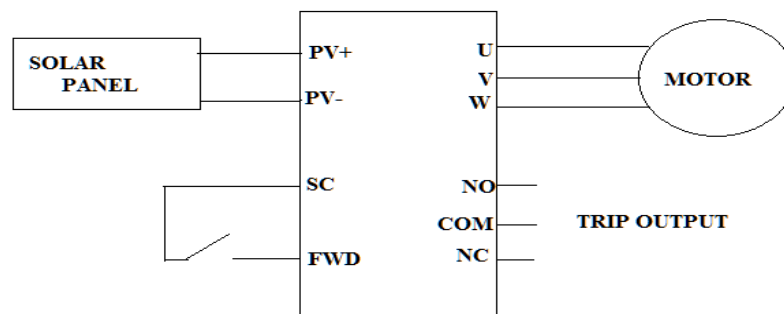
PRODUCTION DEVICES :

- *SHORT CIRCUIT & OVERCURRENT PRODUCTION*
- *LOW VOLTAGE & HIGH VOLTAGE PRODUCTION*
- *TEMPERATURE MONITORING DEVICE*
- *GROUNT FAULT PRODUCTION*
- *REVERSE POLARITY PRODUCTION*
- *SURGE PRODUCTION*
- *DRY RUNNING INDICATION*

FEATURES :

- Solar Panel voltage MPPT calculation set at every start
- Maximum Power Point Tracking (MPPT) function
- One year replacement warranty
- Error Trip indications
- Solar pump controller with panel
- Used to any three phase induction motor & pump

CONNECTION DIAGRAMS



APPLICATIONS

- AGRICULTURE IRRIGATION
- WASTEWATER TREATMENT
- MUNICIPAL & CITY CENTRE SQUARES, PARKS
- RESORTS, HOTELS & TOURIST SITES
- LANDSCAPES
- CHEMICAL FACTORIES
- MILLS

APPLICATION ARCHITECTURES :

